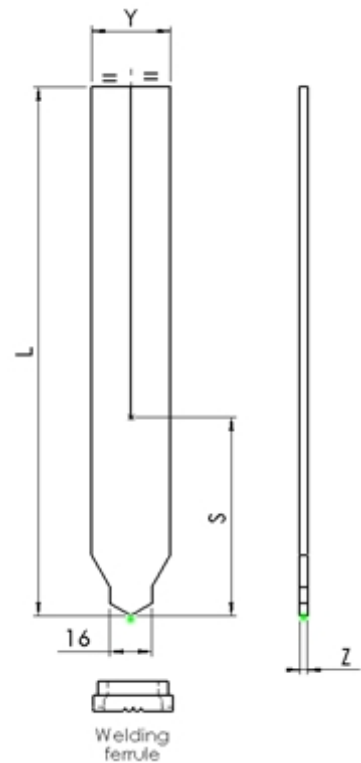


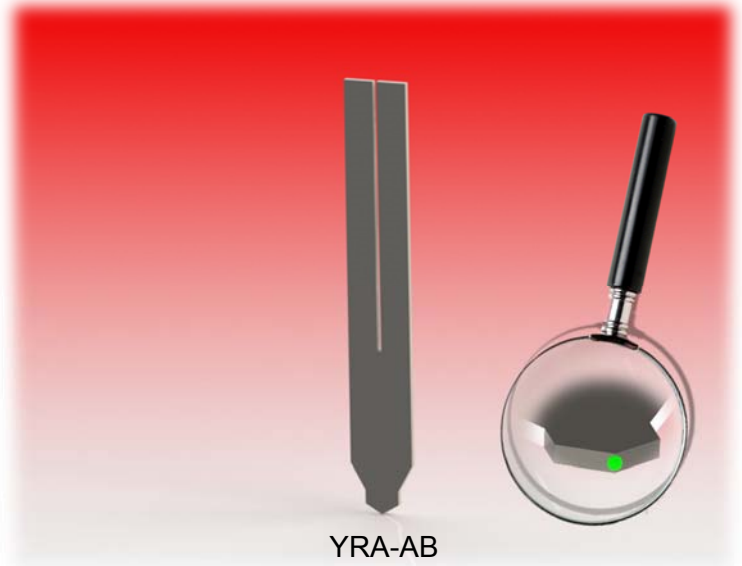
YRA-AB.30/3-180(120)-310

TYPE WITH SECTION LENGTH LENGTH ALLOY
 ALUMINIUM BALL Y x Z L S



Option - Aluminium Ball
Recommended for gun welding
SEE PAGE

Options :

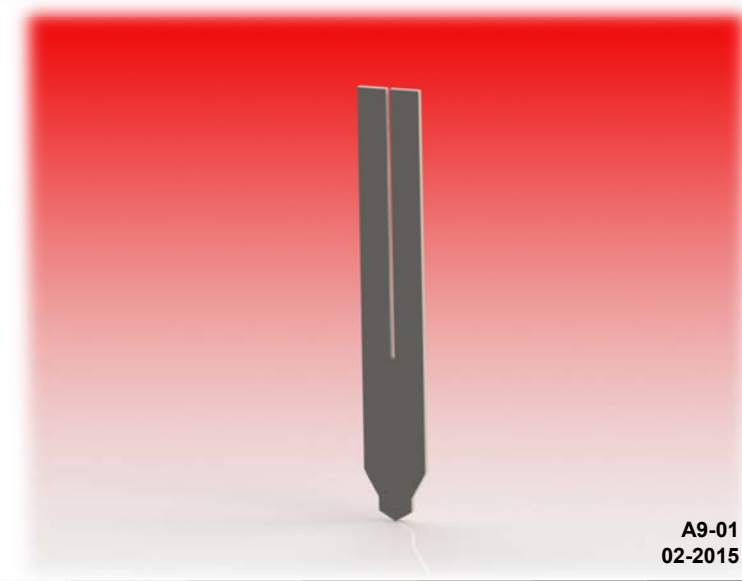


Our recommendations :

- No gap (slot) between the 2 wings
- This anchor will be open on site by installer



France – phone : + 33 3 66 50 00 30
 anchorscontact@gmail.com
 www.anchorsforrefractory.com

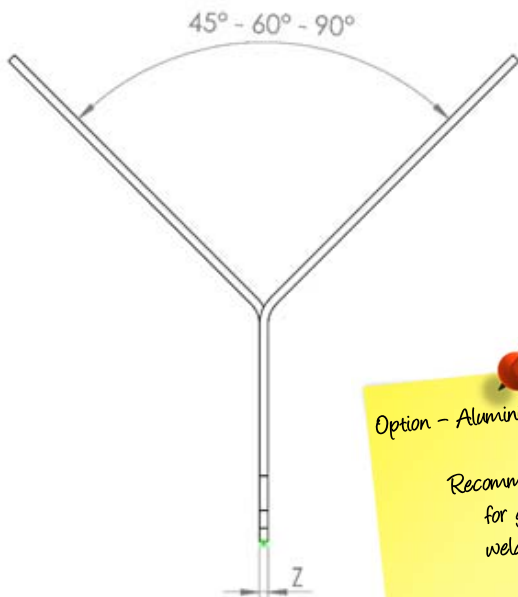
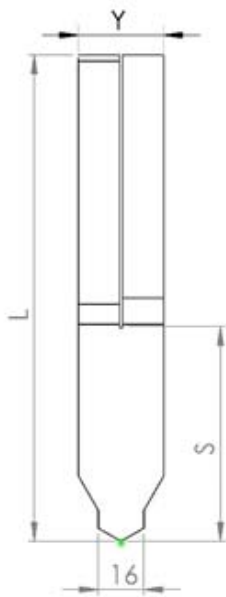


A9-01
 02-2015

This drawing is the property of ANCHORS unauthorised use and / or reproduction of the drawing is prohibited. Informations mentioned are guide lines only and can be modified without previous notice .Please contact us if you want a liable specification

YRA-AB.30/3(90°)-130(080)-310

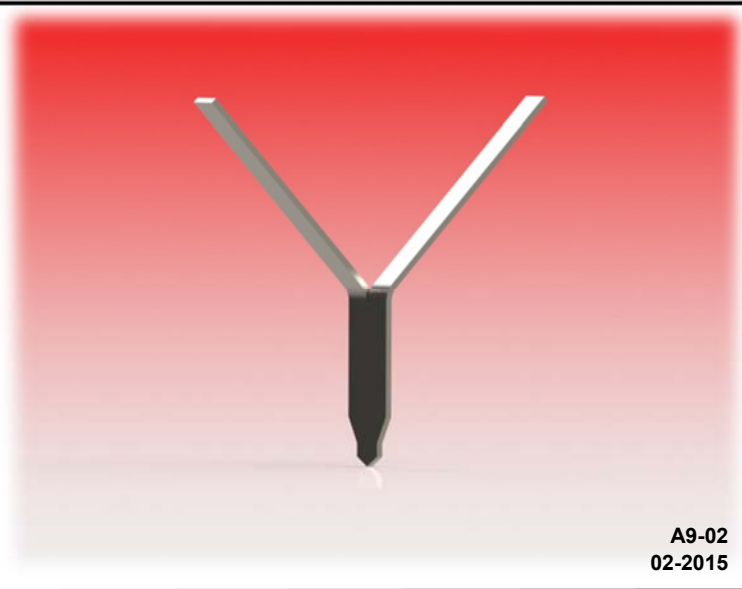
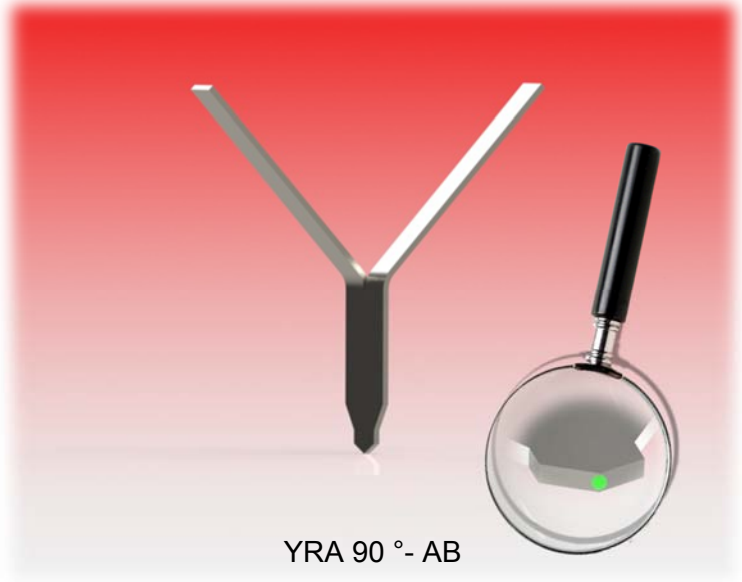
TYPE	WITH ALUMINIUM BALL	SECTION Y x Z	OPENING Ex : 90°	LENGTH L	LENGTH S	ALLOY
------	---------------------	---------------	------------------	----------	----------	-------



*Option - Aluminium Ball
Recommended for gun welding
SEE PAGE*



Options :



Our recommendations :

- No gap (slot) between the 2 wings
- This anchor is supplied open at specified angle



France – phone : + 33 3 66 50 00 30
anchorscontact@gmail.com
www.anchorsforrefractory.com

A9-02
02-2015

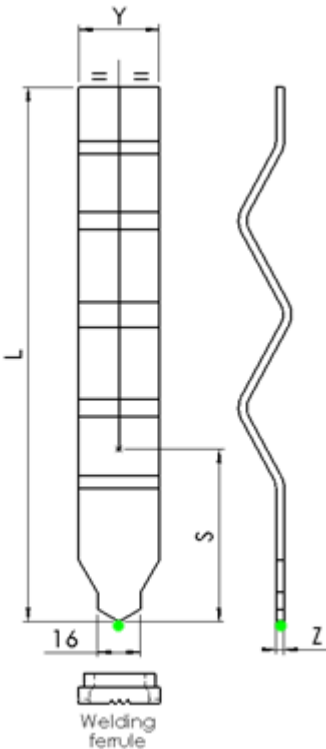
This drawing is the property of ANCHORS unauthorised use and / or reproduction of the drawing is prohibited. Informations mentioned are guide lines only and can be modified without previous notice .Please contact us if you want a liable specification

YRB-30/3-180(120)-310

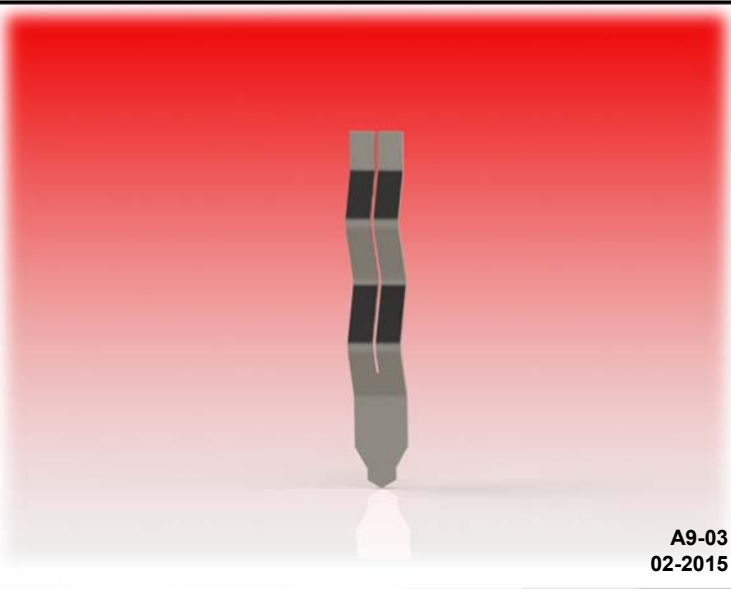
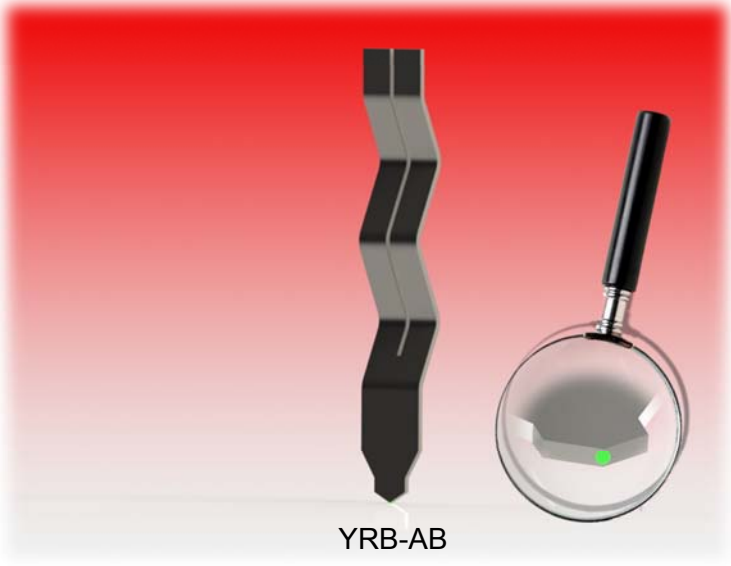
TYPE	SECTION Y x Z	LENGTH L	LENGTH S	ALLOY
------	------------------	-------------	-------------	-------



Option - Aluminium Ball
 Recommended
 for gun
 welding
 SEE PAGE



Options :



Our recommendations :

- No gap (slot) between the 2 wings
- This anchor will be open on site by installer



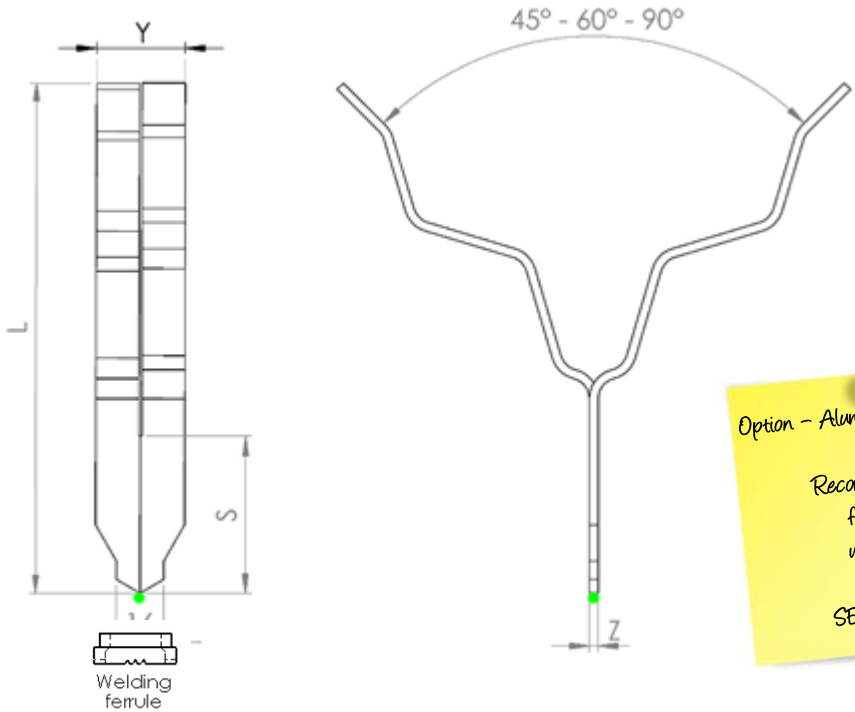
France – phone : + 33 3 66 50 00 30
 anchorscontact@gmail.com
 www.anchorsforrefractory.com

A9-03
 02-2015

This drawing is the property of ANCHORS unauthorised use and / or reproduction of the drawing is prohibited. Informations mentioned are guide lines only and can be modified without previous notice .Please contact us if you want a liable specification

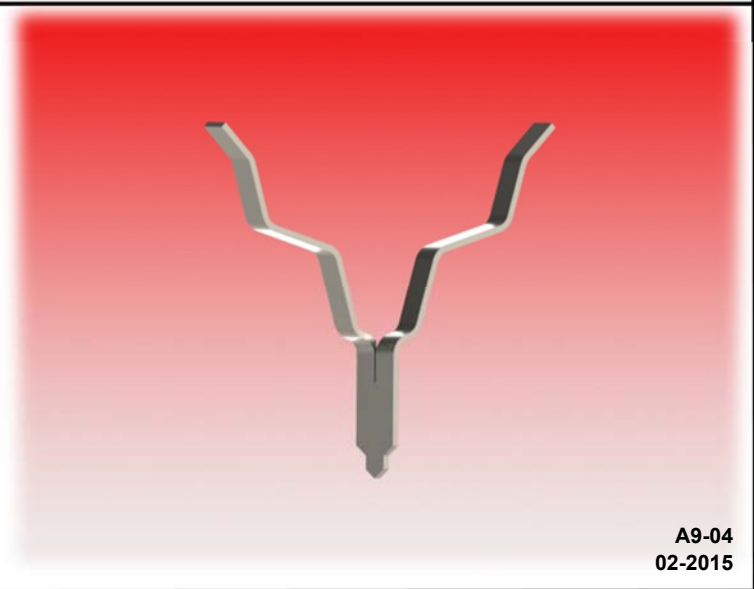
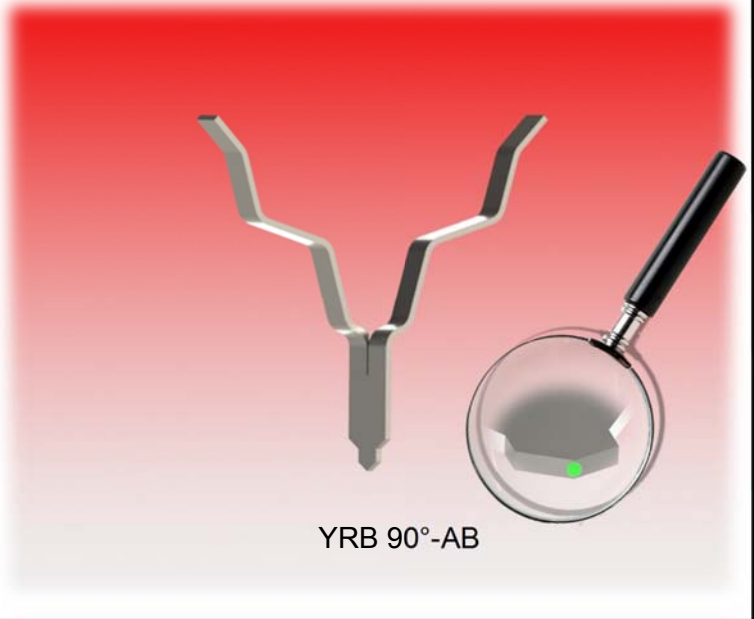
YRB-AB.30/3(90°)-130(080)-310

TYPE	WITH	SECTION	OPENING	LENGTH	LENGTH	ALLOY
	ALUMINIUM BALL	Y x Z	Ex : 90°	L	S	



Option - Aluminium Ball
Recommended for gun welding
SEE PAGE

Options :



Our recommendations :

- No gap (slot) between the 2 wings
- This anchor is supplied open at specified angle



France – phone : + 33 3 66 50 00 30
 anchorscontact@gmail.com
 www.anchorsforrefractory.com

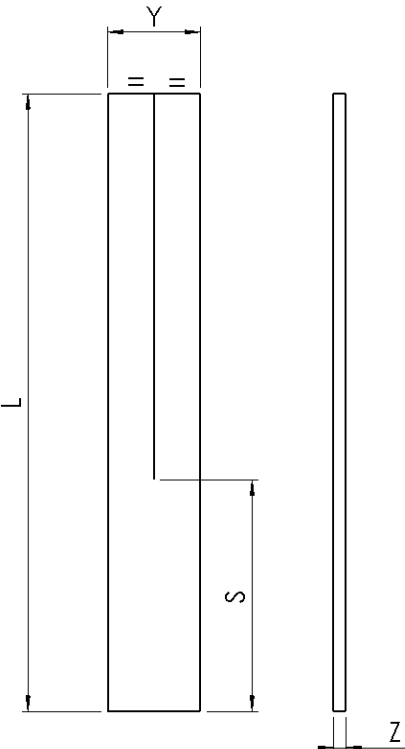
A9-04
 02-2015

This drawing is the property of ANCHORS unauthorised use and / or reproduction of the drawing is prohibited. Informations mentioned are guide lines only and can be modified without previous notice .Please contact us if you want a liable specification

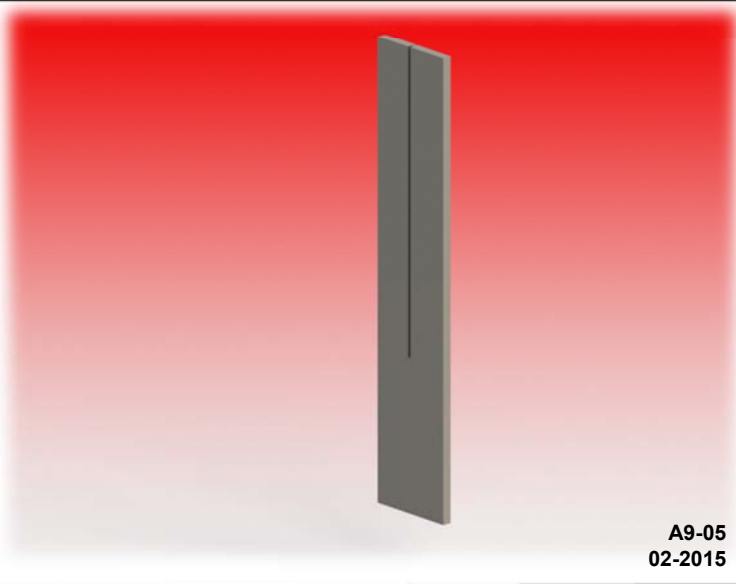
CASTABLE ANCHOR

YHA-30/3-130(080)-310

TYPE SECTION LENGTH LENGTH ALLOY
Y x Z L S



Options :



Our recommendations :

- No gap (slot) between the 2 wings
- This anchor will be open on site by installer



France – phone : + 33 3 66 50 00 30
anchorscontact@gmail.com
www.anchorsforrefractory.com

A9-05
02-2015

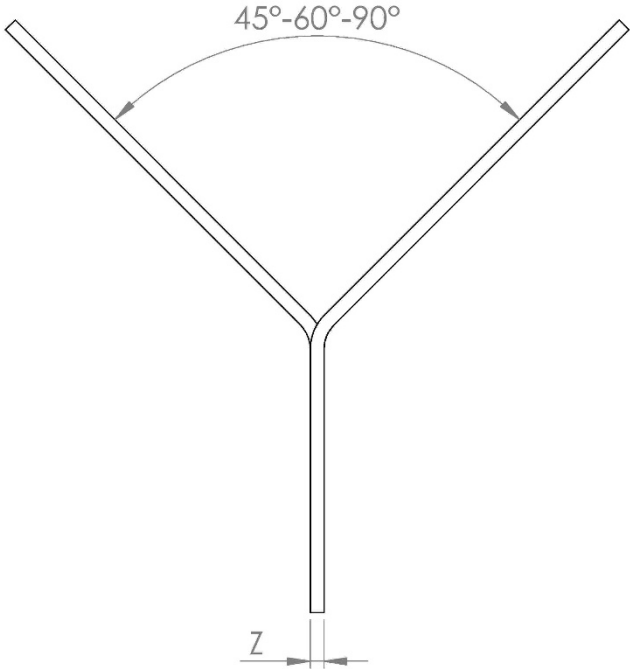
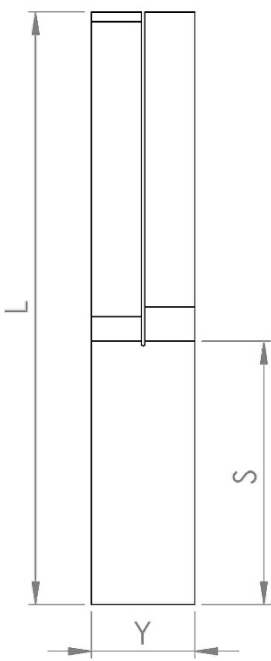
This drawing is the property of ANCHORS unauthorised use and / or reproduction of the drawing is prohibited. Informations mentioned are guide lines only and can be modified without previous notice .Please contact us if you want a liable specification

A-CASTABLE ANCHOR

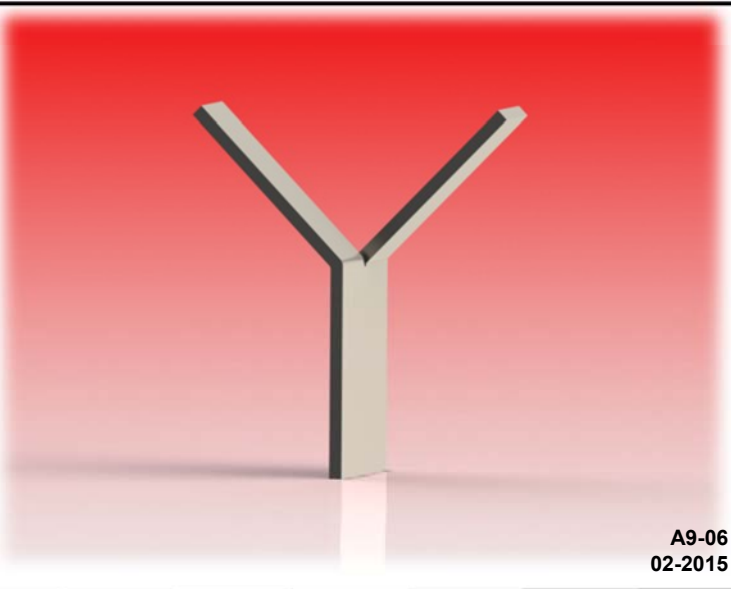
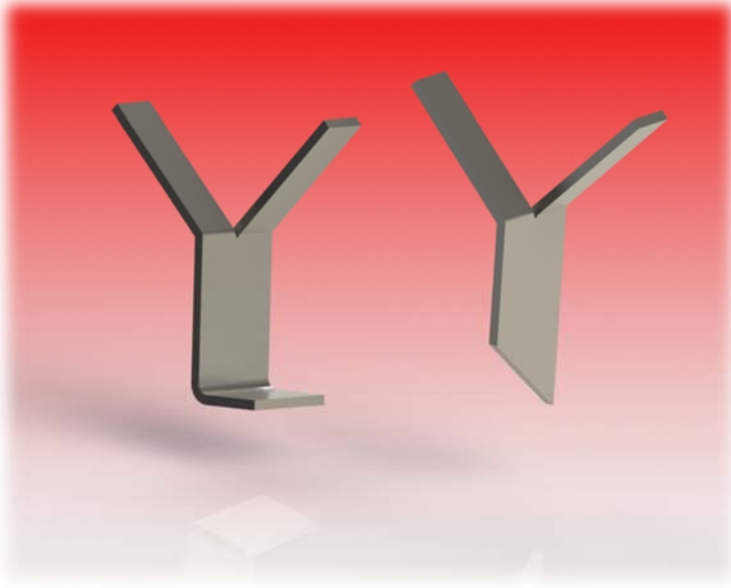
CASTABLE ANCHOR

YHA-30/3(60°)-130(080)-310

TYPE	SECTION Y x Z	OPENING Ex : 60°	LENGTH L	LENGTH S	ALLOY
------	------------------	---------------------	-------------	-------------	-------



Options :



Our recommendations :

- No gap (slot) between the 2 wings
- This anchor is supplied open at specified angle



France – phone : + 33 3 66 50 00 30
 anchorscontact@gmail.com
 www.anchorsforrefractory.com

A9-06
 02-2015

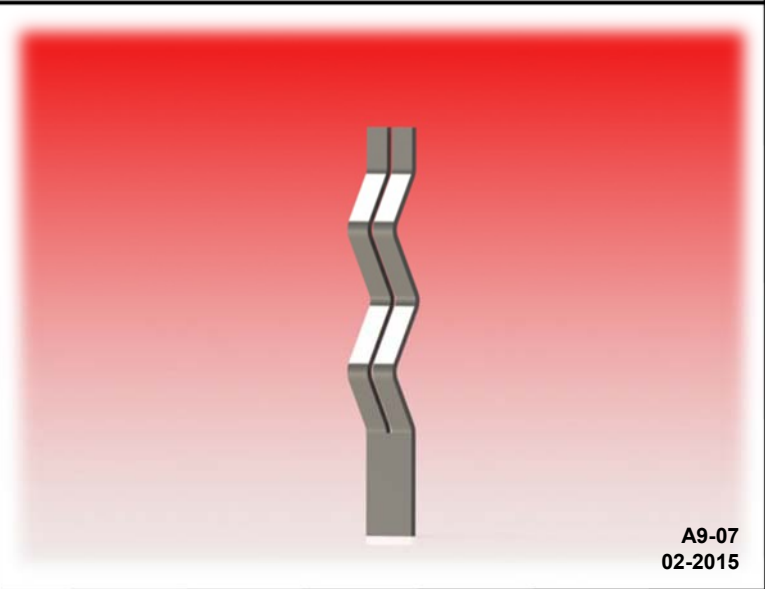
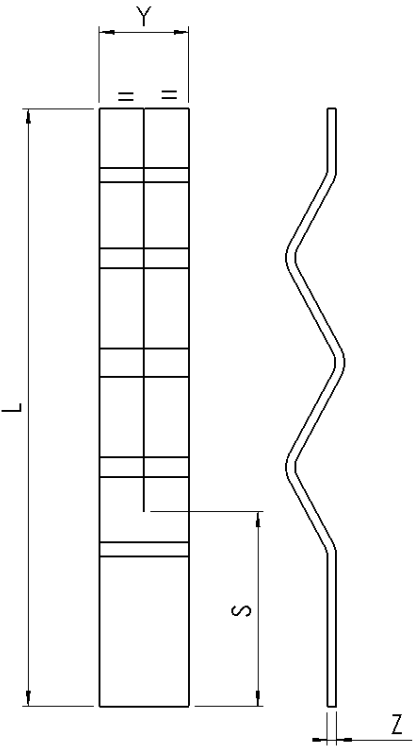
This drawing is the property of ANCHORS unauthorised use and / or reproduction of the drawing is prohibited. Informations mentioned are guide lines only and can be modified without previous notice .Please contact us if you want a liable specification

A-CASTABLE ANCHOR

YHB-30/3-130(080)-304

TYPE	SECTION	LENGTH	LENGTH	ALLOY
	Y X Z	L	S	

Options :



Our recommendations :

- No gap (slot) between the 2 wings
- This anchor will be open on site by installer



France – phone : + 33 3 66 50 00 30
 anchorscontact@gmail.com
 www.anchorsforrefractory.com

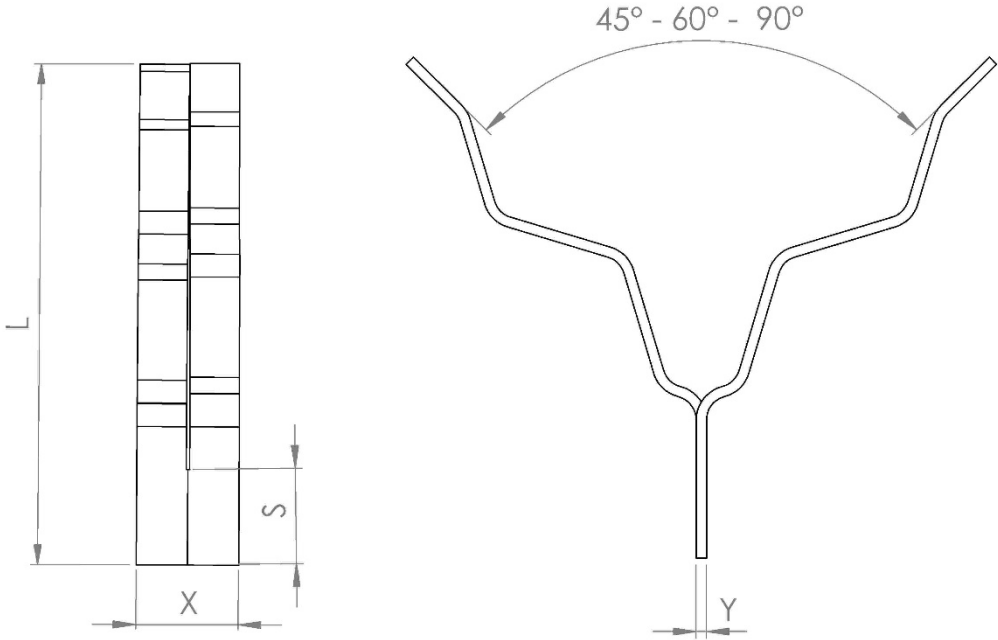
A9-07
02-2015

This drawing is the property of ANCHORS unauthorised use and / or reproduction of the drawing is prohibited. Informations mentioned are guide lines only and can be modified without previous notice .Please contact us if you want a liable specification

YHB-30/3(60°)-130(080)-310

TYPE	SECTION X x Y	OPENING Ex : 60°	LENGTH L	LENGTH S	ALLOY
------	------------------	---------------------	-------------	-------------	-------

Options :



Our recommendations :

- No gap (slot) between the 2 wings
- This anchor is supplied open at specified angle



France – phone : + 33 3 66 50 00 30
 anchorscontact@gmail.com
 www.anchorsforrefractory.com

A9-08
02-2015

This drawing is the property of ANCHORS unauthorised use and / or reproduction of the drawing is prohibited. Informations mentioned are guide lines only and can be modified without previous notice .Please contact us if you want a liable specification