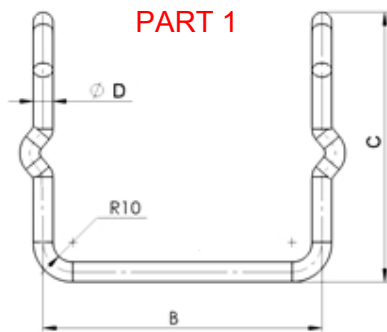
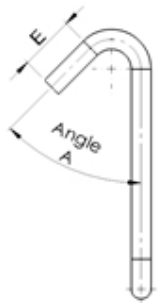


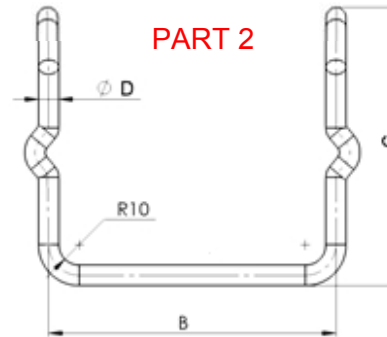
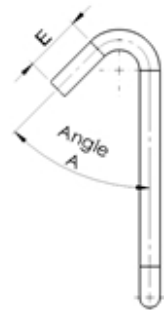
## RSA.8(45) - 140/135/30 - 310

TYPE	Ø	ANGLE	LENGTH	LENGTH	LENGTH	ALLOY
	D	A	B	C	E	



1 ANCHOR =  
1 PART 1 + 1 PART 2

SUPPLIED ASSEMBLED  
TOGETHER IN ORDER TO  
MAKE INSTALLATION  
WORK EASIER



This system correspond to one set composed 2 scissors assembled together with a double articulation like a jaw

Options :



Our recommendations :



France – phone : + 33 3 66 55 00 30  
anchorscontact@gmail.com  
www.anchorsforrefractory.com

B3-01  
06-2015

This drawing is the property of ANCHORS unauthorised use and / or reproduction of the drawing is prohibited. Informations mentioned are guide lines only and can be modified without previous notice .Please contact us if you want a liable specification



**B-BRICK ANCHOR**